

KC-100

4CH MIXING KEYBOARD AMPLIFIER

SERVICE NOTES

*First Edition***Issued by RJA**

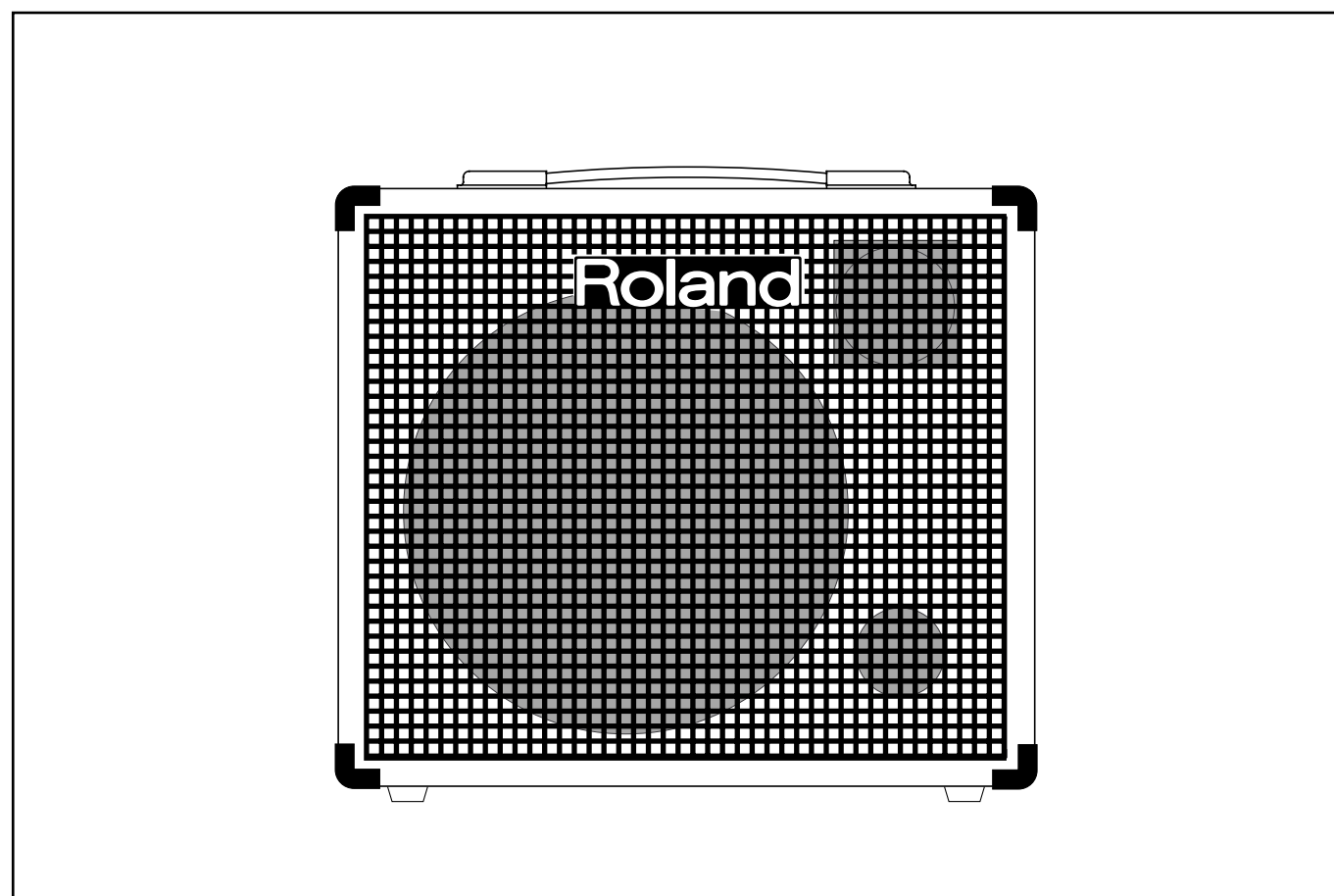
SPECIFICATIONS / 主な仕様

KC-100**Rated Power Output / 定格出力**
Speaker / スピーカー出力 : 60W/8**Nominal Input Level / 規定入力レベル (@1kHz)**
Channel 1 XLR Type / チャンネル1 XLR タイプ
: -50dBm thru -20dBm**Channel 1 Phone Type / チャンネル1 標準タイプ**
: -50dBm thru -20dBm**Channel 2,3,4** : -20dBm**Nominal Output Level / 規定出力レベル (@1kHz)**
LINE OUT / ラインアウト : +4dBm
0dBm=0.775Vrms**Speaker / スピーカー**
: 30cm(12") x1 + Tweeter x1**Controls / コントロール**
: Channel 1 MIC/LINE Volume
Channel 2 LINE Volume
Channel 3 LINE Volume
Channel 4 MONITOR Volume
LOW
TREBLE
Master VOLUME
POWER Switch
Power Indicator**Connectors / 接続端子**
: Channel 1 Input Jack (XLR Type Balanced)
Channel 1 Input Jack
Channel 2 Input Jack
Channel 3 Input Jack
Channel 4 Input Jack
LINE OUT Jack
PHONES Jack**Power Consumption / 消費電力**
: 40W (AC100V)
60W (AC117V/230V/240V)**Dimensions / 外形寸法**
: 478(W)x273(D)x430(H)mm
18-7/8(W)x10-3/4(D)x16-15/16(H)inches**Weight / 重量**
: 14.5kg
32lbs**Accessories / 付属品**
: Owner's Manual (English) (17055092)
Owner's Manual (Japanese) (17055093)**Options / 別売品**
: Speaker Stand SS-115A
Speaker Cap SS-CAP (H1017017)

*When using an SS-115A speaker stand, be sure to use a SS-CAP speaker cap in conjunction with it.
スピーカースタンドにSS-115Aを使用する際は、必ずスピーカークャップSS-CAPを併用してお使い下さい。

TABLE OF CONTENTS

	目次	Page
SPECIFICATIONS	主な仕様	1
PANEL LAYOUT	パネル配置図	2
CABINET EXPLODED VIEW	キャビネット分解図	3
CHASSIS EXPLODED VIEW	シャーシ分解図	4
PARTS LIST	パーツリスト	5、6
CIRCUIT BOARD	基板図	7
CIRCUIT DIAGRAM	回路図	8



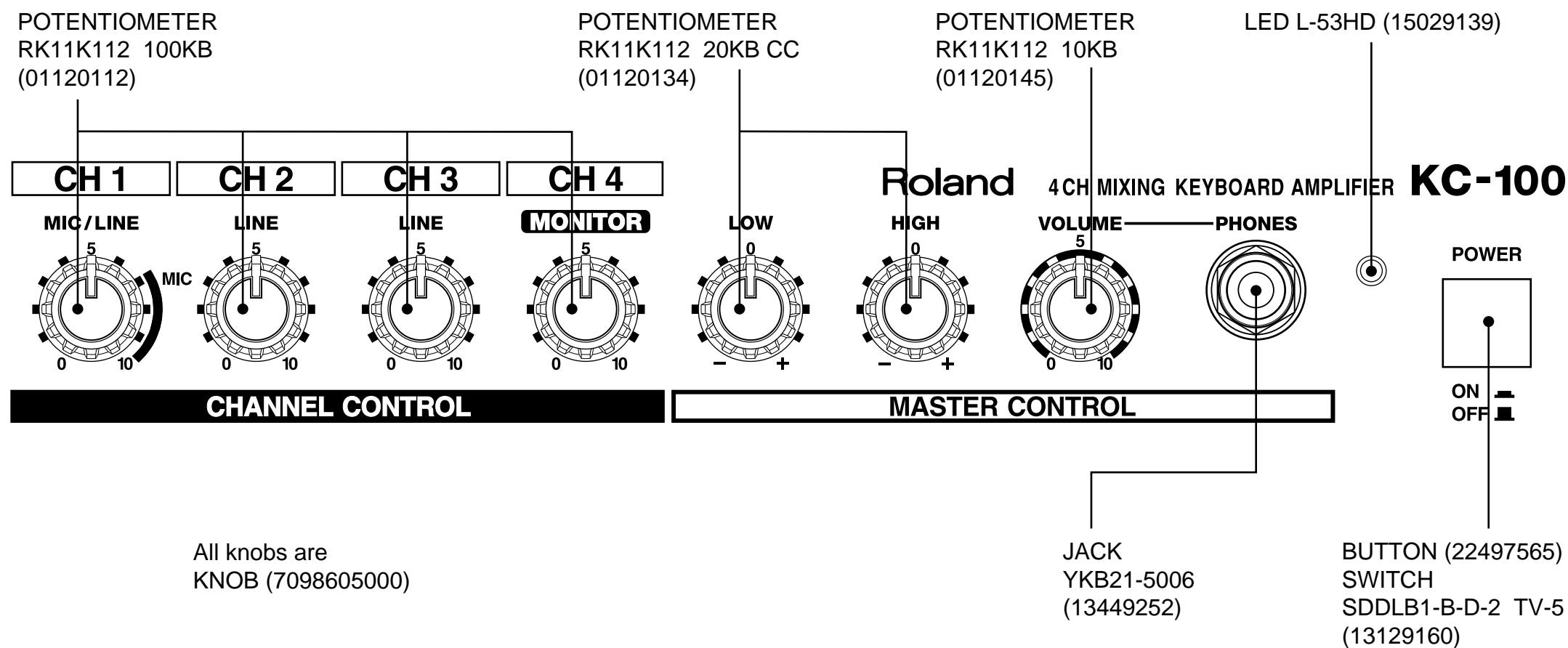
Copyright © 1997 by ROLAND CORPORATION

All rights reserved. No part of this publication may be reproduced in any form without the written permission of ROLAND CORPORATION.

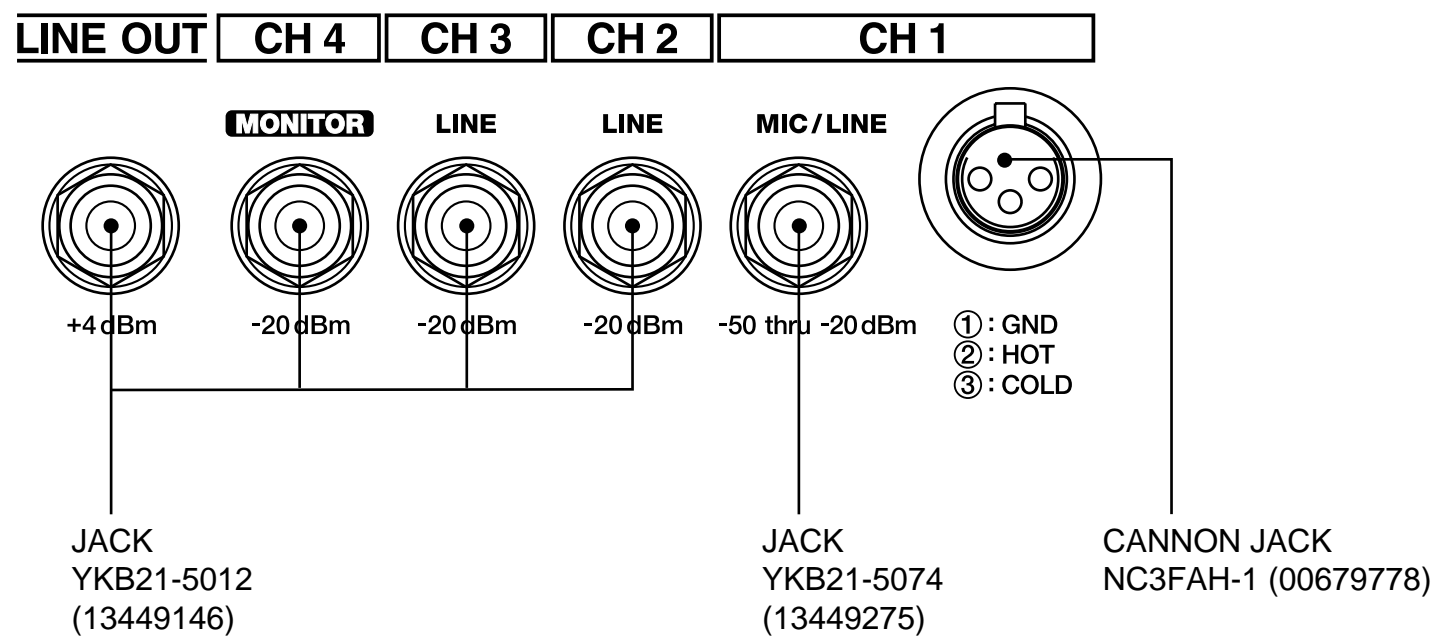
本書の一部、もしくは全部を無断で複写・転載することを禁じます。

LOCATION OF CONTROLS / パネル配置図

CONTROL PANEL



JACK



CABINET EXPLODED VIEW / キャビネット分解図

[PARTS]

No.	Part Cord	Part Name
①	17055098	CABINET ASSY

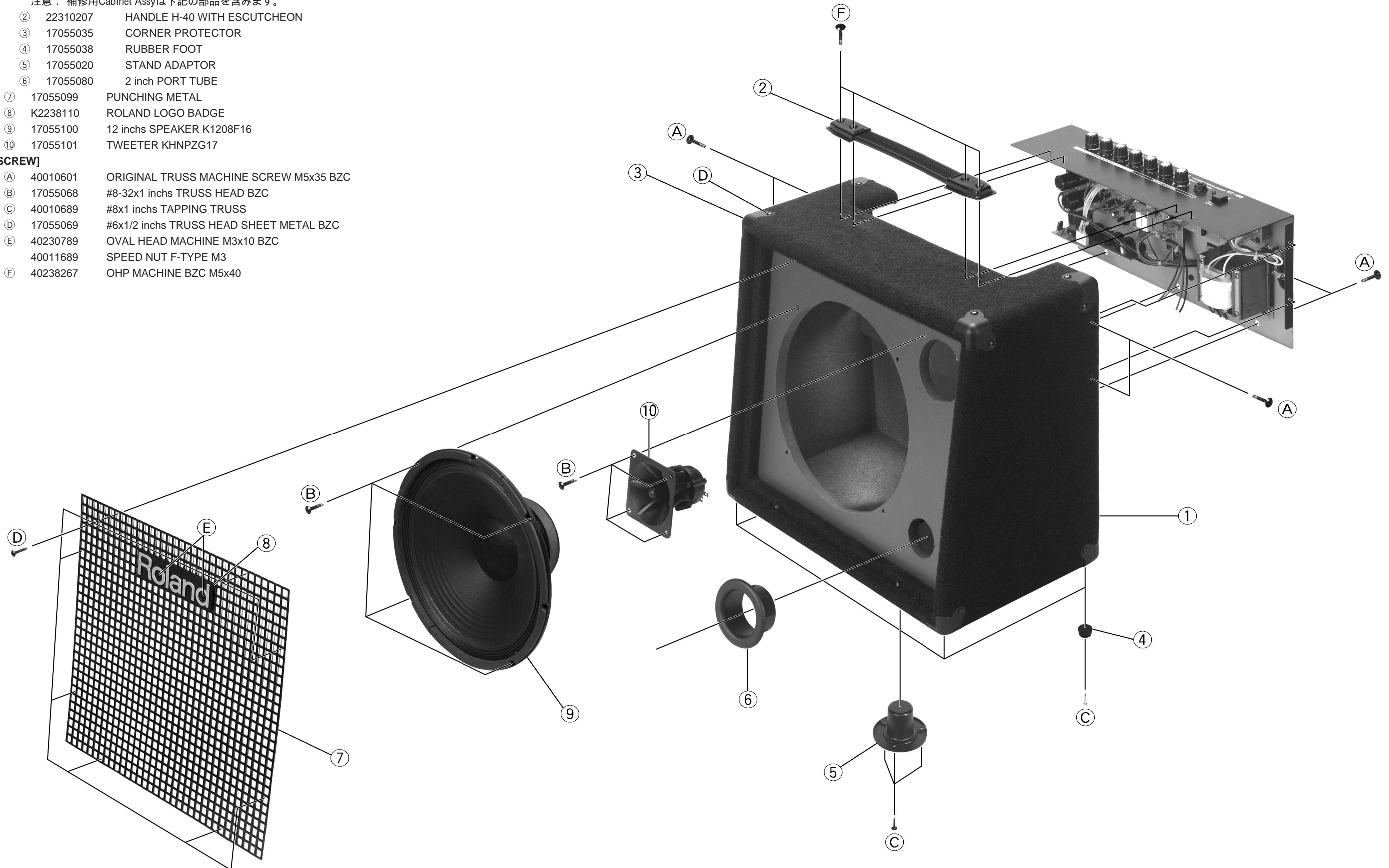
NOTE: Replacement Cabinet Assy includes the following parts.

注意：補修用Cabinet Assyは下記の部品を含みます。

②	22310207	HANDLE H-40 WITH ESCUTCHEON
③	17055035	CORNER PROTECTOR
④	17055038	RUBBER FOOT
⑤	17055020	STAND ADAPTOR
⑥	17055080	2 inch PORT TUBE
⑦	17055099	PUNCHING METAL
⑧	K2238110	ROLAND LOGO BADGE
⑨	17055100	12 inchs SPEAKER K1208F16
⑩	17055101	TWEETER KHNPZG17

[SCREW]

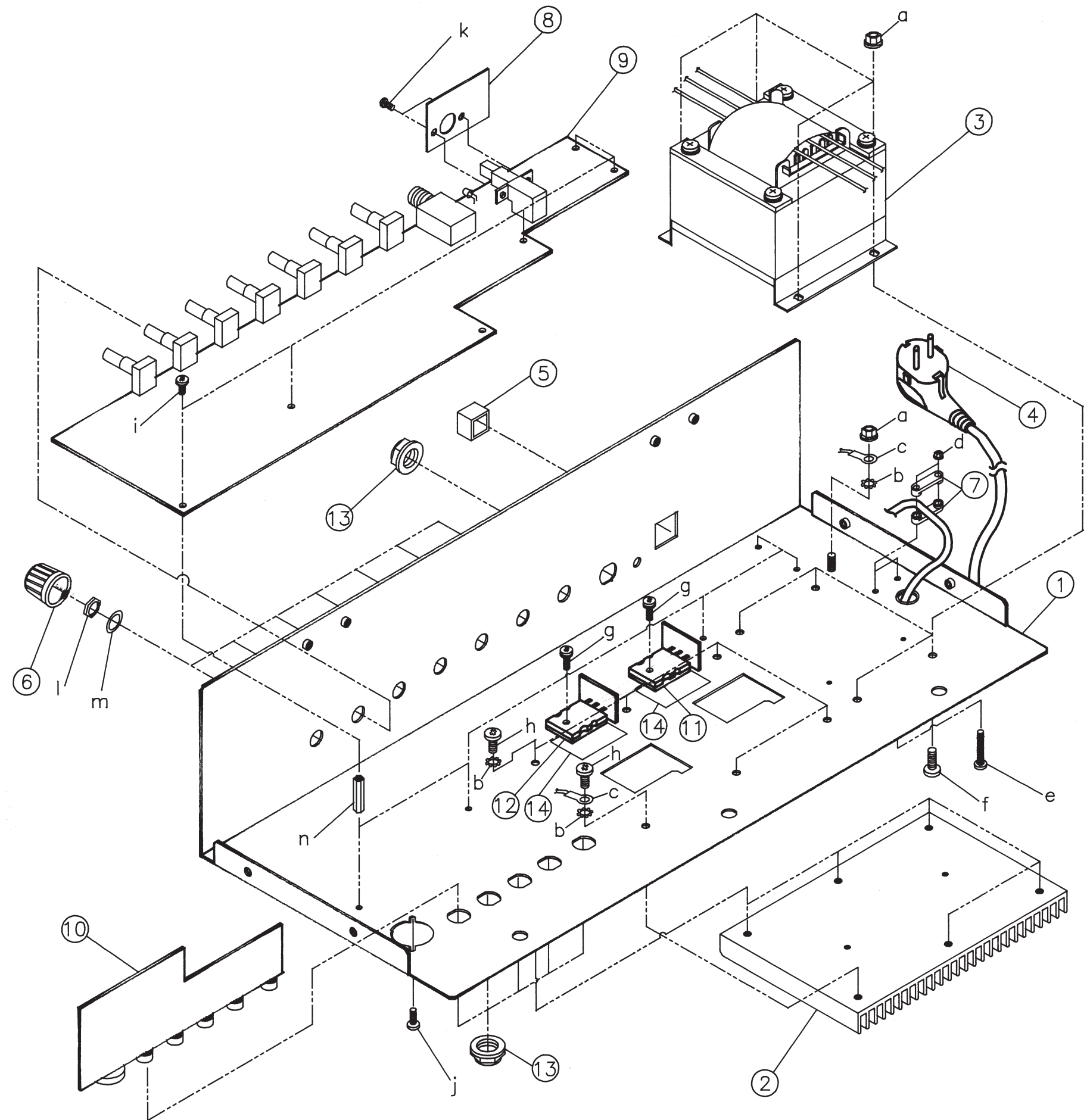
A	40010601	ORIGINAL TRUSS MACHINE SCREW M5x35 BZC
B	17055068	#8-32x1 inchs TRUSS HEAD BZC
C	40010689	#8x1 inchs TAPPING TRUSS
D	17055069	#6x1/2 inchs TRUSS HEAD SHEET METAL BZC
E	40230789	OVAL HEAD MACHINE M3x10 BZC
	40011689	SPEED NUT F-TYPE M3
F	40238267	OHP MACHINE BZC M5x40



CHASSIS EXPLODED VIEW / シャーシ分解図

[PARTS]

No.	PART No.	PART NAME
①	G281711901	CHASSIS
②	G246770101	HEATSINK
③	G2457140	POWER TRANSFORMER 100V/117V
④	G2457139	POWER TRANSFORMER 230V/240V
⑤	G3497123	AC CORD VCTF 100V
⑥	G349712401	AC CORD SJT 117V
⑦	G3497125	AC CORD SY010 BLK 230V
⑧	G3497127	AC CORD 57226604 230VE
⑨	G3497126	AC CORD FC-305 230VA
⑩	22497565	BUTTON POWER SW
⑪	7098605000	AC KNOB
⑫	12369410RT	LINE CORD STRAIN RELIEF 1702B
⑬	F2257201	FUSE BARRIER(117V ONLY)
⑭	01341534	MAIN BOARD ASSY 230/240V
⑮	01341534	MAIN BOARD ASSY 230/240V
⑯	01341534	MAIN BOARD ASSY 230/240V
⑰	01341534	MAIN BOARD ASSY 230/240V
⑱	2215075600	JACK NUT #756
Ⓐ	G2257113	TO-3P INSULATING SHEET
Ⓑ	40011767	M4 FLANGE NUT ZC
Ⓒ	40011889	M4 EXT.TOOTH WASHER ZC
Ⓓ	*****	Pin (B-6)
Ⓔ	40011756	M3 FLANGE NUT ZC
Ⓕ	H5019411	M3x20 BINDING w/INT.TOOTH WASHER BZC
Ⓖ	40010345	M4x10 BINDING BZC
Ⓗ	40010434	M3x10 BINDING MACHINE SCREW W/SW BZC
Ⓘ	40010334	M4x8 BINDING BZC
Ⓚ	40010423	M3x8 BINDING w/INT.TOOTH WASHER BZC
Ⓛ	40011312	M3x8 BINDING TAPTIGHT P BZC
Ⓜ	H5019404	M3x6 BINDING w/SPRING WASHER BZC(117V ONLY)
Ⓝ	*****	V.R.Accessory Washer M8
Ⓟ	*****	V.R.Accessory Nut M8
Ⓝ	G2157502	STANDOFF M3x20



PARTS LIST / パーツリスト

<p>SAFETY PRECAUTIONS: *2 The parts marked Δ have safety-related characteristics. Use only listed parts for replacement.</p> <p>安全上の注意: *2 Δ が付いている部品は、安全上特別な規格でつくられたものです。 交換の際は、注意をよく読み、指定された部品番号以外の部品は使わないようにして下さい。</p>	<p>CONSIDERATIONS ON PARTS ORDERING When ordering any parts listed in the parts list, please specify the following items in the order sheet.</p> <table border="1"> <thead> <tr> <th>QTY</th> <th>PART NUMBER</th> <th>DESCRIPTION</th> <th>MODEL NUMBER</th> </tr> </thead> <tbody> <tr> <td>Ex. 10</td> <td>22575241</td> <td>Sharp Key</td> <td>C-20/50</td> </tr> <tr> <td>15</td> <td>2247017300</td> <td>Knob (orange)</td> <td>DAC-15D</td> </tr> </tbody> </table> <p>Failure to completely fill the above items with correct number and description will result in delayed or even undelivered replacement.</p> <p>パーツ発注に関するお願い オーダーシートには、必ず下記の4項目は正確に記入して下さい。(例外は除く) 必要数 パーツナンバー 品名 使用機種 例) 10 22575241 Sharp Key C-20/50 15 2247017300 Knob (orange) DAC-15D</p> <p>もし記入漏れ、誤記等有る場合、必要部品が発送出来なかったり、大幅な遅れの原因になります。御協力をお願いします。</p>	QTY	PART NUMBER	DESCRIPTION	MODEL NUMBER	Ex. 10	22575241	Sharp Key	C-20/50	15	2247017300	Knob (orange)	DAC-15D
QTY	PART NUMBER	DESCRIPTION	MODEL NUMBER										
Ex. 10	22575241	Sharp Key	C-20/50										
15	2247017300	Knob (orange)	DAC-15D										

NOTE: *1 The parts marked # are new (initial parts)
注意: *1 # が付いた部品は新規部品です。

CABINET / キャビネット

17055098 CABINET ASSY

NOTE: Replacement Cabinet Assy includes the following parts.

注意: 補修用Cabinet Assyは下記の部品を含みます。
22310207 HANDLE H-40 WITH ESCUTCHEON
17055035 CORNER PROTECTOR
17055038 RUBBER FOOT
17055020 STAND ADAPTOR
17055080 2 inch PORT TUBE

17055099 PUNCHING METAL
K2238110 ROLAND LOGO BADGE

SPEAKER / スピーカー

17055100 12 inchs SPEAKER K1208F16
17055101 TWEETER KHNPZG17

CHASSIS / シャーシ

G281711901 CHASSIS

KNOB, BUTTON / ツマミ、ボタン

7098605000 AC KNOB
22497565 BUTTON POWER SW

SWITCH / スイッチ

 Δ 13129160 SDDL1-B-D-2 TV-5 POWER SW

JACK / ジャック

00679778 CANNON NC3FAH-1 JK1
13449275 YKB21-5074 JK2
13449146 YKB21-5012 JK3-6
13449252 YKB21-5006 JK7

PCB ASSY / 基板完成品

01341534 MAIN BOARD ASSY 230V/240V

NOTE: Replacement MAIN BOARD ASSY is 230V/240V version only.

When using MAIN BOARD ASSY for 100V/117V version, be sure to replace fuse of specific voltage 100V/117V(refer to TABLE A). And change mark on PCB as shown in TABLE B.

注意: 補修用 MAIN BOARD は230V/240V仕様のみが供給されます。MAIN BOARD ASSY を100V/117V仕様の製品に使用する際はヒューズを適切なものに交換し、基板上のシルク表示をTABLE Bの様に変更して下さい。

TABLE A

	F1
100V/117V	SB 5x20 2A/125V(12559441)
230V/240V	5ST 5x20 1A/250V(F2559103)

TABLE B

L	125V 2A	100V/117V ASSY 01341523	1	2	3	4	5
H	T1L 250V	230V/240V ASSY 01341534	6	7	8	9	10

TABLE B

L	125V 2A	100V/117V ASSY 01341523	1	2	3	4	5
H	T1L 250V	230V/240V ASSY 01341534	6	7	8	9	10

FUSE, FUSE HOLDER / ヒューズ、ヒューズホルダー

 Δ 12559441 FUSE SB2 2A/125V 100V/117V
 Δ F2559103 FUSE 5ST1A 1A/250V 230V/240V
12199550RT FUSE HOLDER
F2029601 FUSE COVER FH-1

POWER TRANSFORMER / トランス

Δ G2457140 POWER TRANSFORMER 100V/117V
Δ G2457139 POWER TRANSFORMER 230V/240V

AC CORD / ACコード

 Δ G3497123 AC CORD VCTF 100V
 Δ G349712401 AC CORD SJT 117V
 Δ G3497125 AC CORD SY010 BLK 230V
 Δ G3497127 AC CORD 57226604 230VE
 Δ G3497126 AC CORD FC-305 240VA

IC / 集積回路

15189250 M5218AL IC2-6,IC8
15219157 M5241L IC7
F5189103 NJM2068L IC1

TRANSISOR / トランジスター

15119423 2SA965Y Q9
15119158 2SA970GR Q4,Q5
15119132 2SA1015GR Q7
Δ 01341378 2SA1940-O Q12
 Δ 15119820 2SB1017Y Q1
15129151 2SC1815GR Q3,Q8,Q13
15129426 2SC2235Y Q10
15129437 2SC2705Y Q6
Δ 01341389 2SC5197-Y Q14
 Δ 15129835 2SD1408Y Q2
15139301 2SK30AY Q11

DIODE / ダイオード

 Δ F5019203 FL402 BRIDGE D1
 Δ 15019654 RD16EB2 ZENER D2,D3
F5019203 1N4004 D5,D7
15019126 1SS133 D4,D6,D8-11,D14-17
15029139 L-53HD LED D13

POTENTIOMETER / ポリウム

01120145 RK11K112 10KB VR7
01120134 RK11K112 20KB CC VR5,VR6
01120112 RK11K112 100KB VR1-4

CAPACITOR / コンデンサー

 Δ F3659241 ELECTOLYTIC 3300uF/63V C6,C7
 Δ F3639553 ELECTOLYTIC 470uF/16V C2,C4
 Δ F3519501 CERAMIC PY17FY472MLO C93
F3519502 CERAMIC EC8472MH C1

RESISTOR / 抵抗

 Δ F3839181 CEMENT 0.33 5W R41,R43
F2559804 NON FLAME 180 3W R1,R4
 Δ F3819901 OXIDE METAL 3.3 1/2W R34,R36
 Δ F3819902 OXIDE METAL 150 1/2W R33
 Δ F3819903 OXIDE METAL 1.3k 1/2W R23
13829902 CARBON 6.8 1/2W R55
13749101 CARBON 4.7k 1/2W R2,R3

WIRING / ワイヤリング

G3417146 WIRING W1 2P L160 (CN2 <-> CN3)
G3417147 WIRING W2 8P L100 (CN1 <-> CN4)
H4019335 WIRING W3 L90 BRW (Q12)
H4019336 WIRING W4 L90 RED (Q12)
H4019337 WIRING W5 L90 ORG (Q12)
H4019338 WIRING W6 L170 BRW (Q14)
H4019339 WIRING W7 L170 RED (Q14)
H4019340 WIRING W8 L170 ORG (Q14)
G3489199 WIRING W9 L500 RED +205 (12 inches SPEAKER)
G3489200 WIRING W10 L500 BLK +205 (12 inches SPEAKER)
G3489201 WIRING W11 L500 ORG +205 (TWEETER)

G3489202 WIRING W12 L500 BRW +205 (TWEETER)
 # H4019127 WIRING W13 L180 +B6 LAG (GND)
 # H4019128 WIRING W14 L130 +187 +B6 LAG (GND,for 230V/240V)

SCREWS / ネジ類

40238267 OHP MACHINE BZC M5x40 (fix CHASSIS,HANDLE)
 01755069 #6x1/2 inchs TRUSS HEAD SHEET METAL BZC (fix CORNER PROTECTOR,PUNCHING METAL)
 17055068 #8-32x1 inchs TRUSS HEAD BZC (fix 12 inchs SPEAKER,TWEETER)
 40230789 OVAL HEAD MACHINE M3x10 BZC (fix ROLAND LOGO BADGE)
 40011689 SPEED NUT F-TYPE M3 (fix ROLAND LOGO BADGE)
 40010689 #8x1 inchs TAPPING TRUSS (fix RUBBER FOOT,STAND ADAPTOR)
 40010601 ORIGINAL TRUSS MACHINE M5x35 BZC (fix CHASSIS)
 40010901 3x6 TAPPING BINDING BZC (fix NAME PLATE)
 40010267 M3x10 BINDING BZC
 40010334 M4x8 BINDING BZC
 40010345 M4x10 BINDING BZC
 40010412 M3x6 BINDING w/INT.TOOTH WASHER BZC
 40010423 M3x8 BINDING w/INT.TOOTH WASHER BZC
 40011756 M3 FLANGE NUT ZC
 40011767 M4 FLANGE NUT ZC
 40011889 M4 EXT.TOOTH WASHER ZC
 40019123 3x8 TAP TITE BZC
 40010434 M3x10 BINDING MACHINE SCREW W/SW BZC
 40011312 M3x8 BINDING TAPTIGHT P BZC
 G2157502 STAND OFF M3x20
 H5019404 M3x6 BINDING w/SPRING WASHER BZC (117V ONLY)
 H5019411 M3x20 BINDING w/INT.TOOTH WASHER BZC

PACKING CASE / 梱包材

17055102 PACKING CASE

MISCELLANEOUS / その他

G246770101 HEATSINK
 2215075600 JACK NUT #756
 12369410RT LINE CORD STRAIN RELIEF 1702B
 G2257113 TO-3P INSULATING SHEET
 F2257201 FUSE BARRIER (117V ONLY)
 G2537608 GND MARK SEAL
 G2537710 FUSE CAUTION SEAL
 G2537711 BARRIER CAUTION SEAL (117V ONLY)

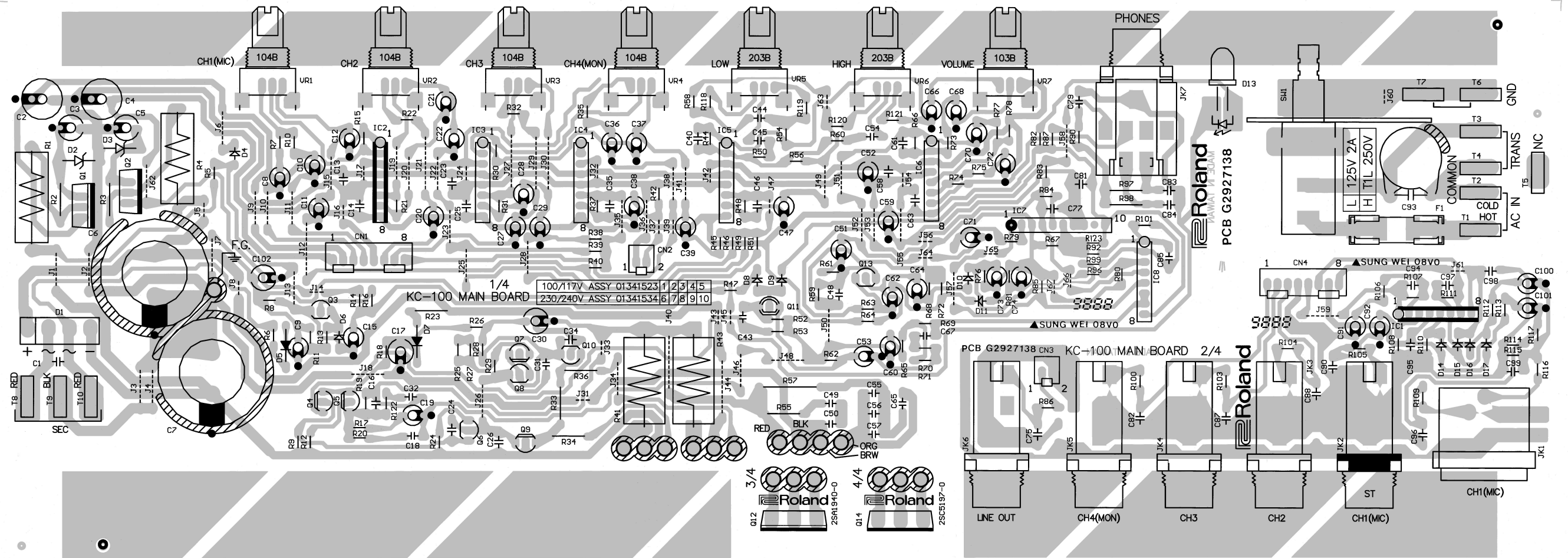
ACCESSORIES(STANDARD) / 標準付属品

17055092 OWNER'S MANUAL (ENGLISH)
 # 17055093 OWNER'S MANUAL (JAPANESE)

1 2 3 4 5 6 7 8 9 10 11 12 13 14 15 16 17 18 19 20 21 22 23 24 25 26 27 28

A CIRCUIT BOARD / 基板图

B
C
D
E
F
G
H
I
J
K
L
M
N
O
P
Q
R
S
T
U



1 2 3 4 5 6 7 8 9 10 11 12 13 14 15 16 17 18 19 20 21 22 23 24 25 26 27 28

A CIRCUIT DIAGRAM / 回路图

